



HANSA

Installation and maintenance guide



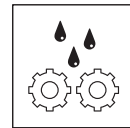
4



5-10



11



12-17



18



HANSA Connect App



hansa.com/hansa-app

Apple and the Apple logo are trademarks of Apple Inc., registered in the U.S. and other countries. App Store is a service mark of Apple Inc., registered in the U.S. and other countries.

Google Play and the Google Play logo are trademarks of Google Inc.

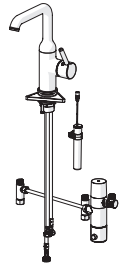
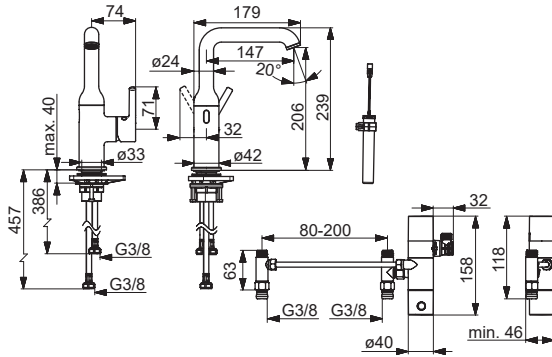
The Bluetooth® word mark and logos are registered trademarks owned by the Bluetooth SIG, Inc. and any use of such marks by Oras Group is under license. Other trademarks and trade names are those of their respective owners.



5460 2209

EN 817, EN 15091
100 - 1000 kPa
0.1 l/s (300 kPa w/Controller)
max. +70°C

IP 55
AA 1.5 V Lithium x 2



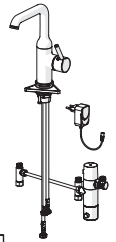
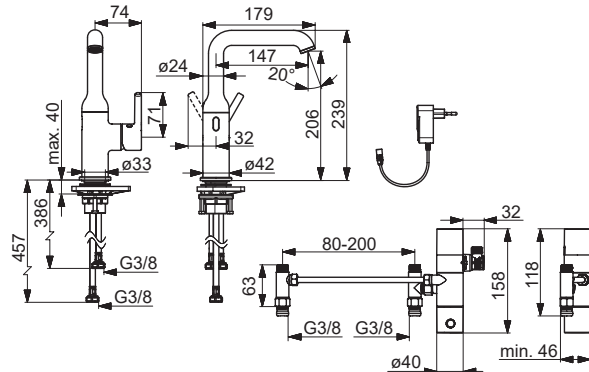
CE (EMC 2014/53/EU , 2011/65/EU)

mpi.hansa.com/54602209

5465 2209

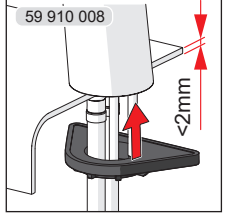
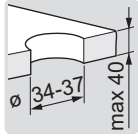
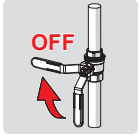
EN 817, EN 15091
100 - 1000 kPa
0.1 l/s (300 kPa w/Controller)
max. +70°C

IP 55
230 / 9 V

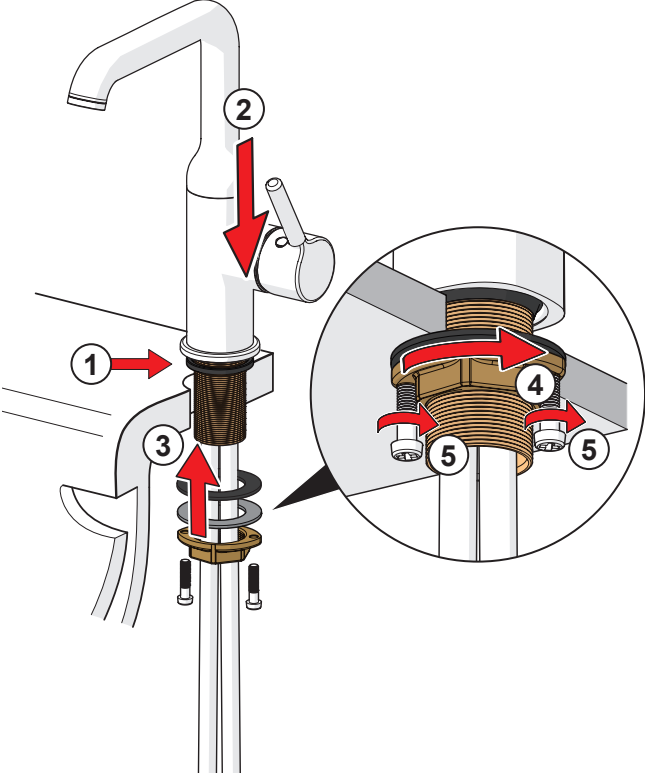


CE (EMC 2014/53/EU , 2011/65/EU)

mpi.hansa.com/54652209



1

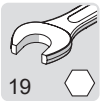




1



3



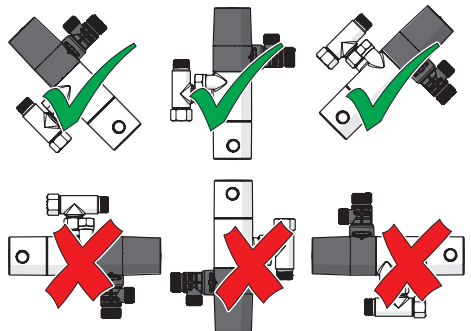
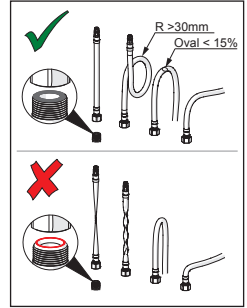
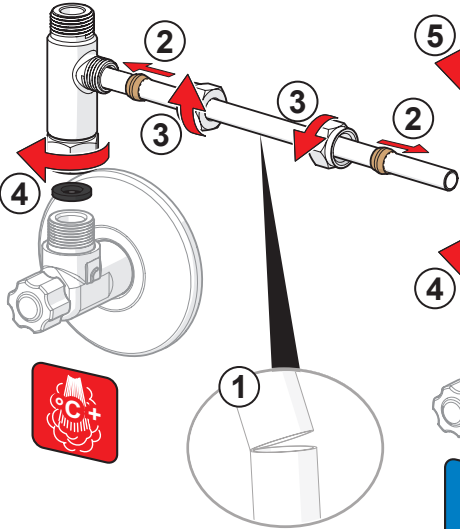
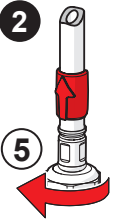
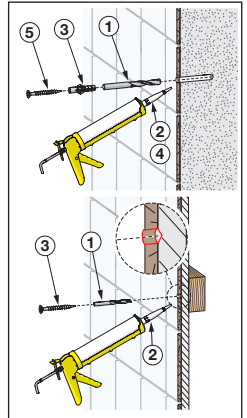
4 5 6



6



max.
1600 kPa



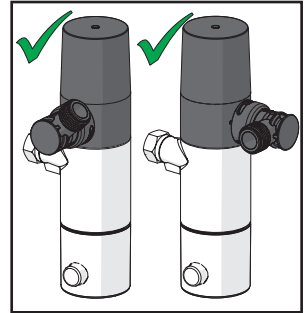
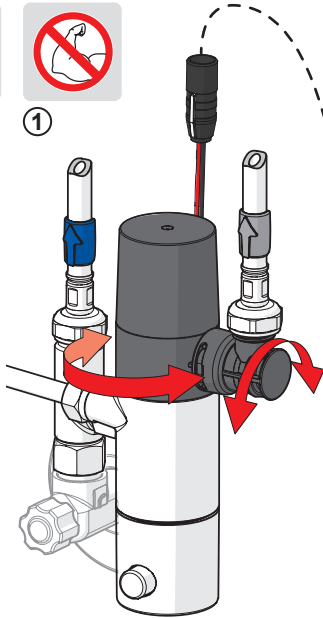


①



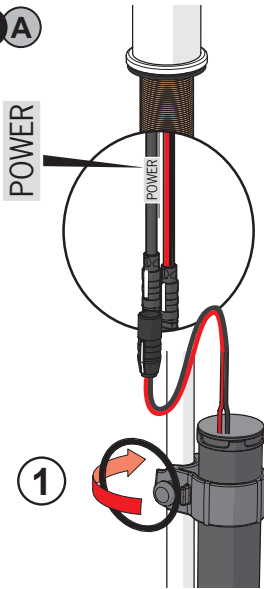
①

③

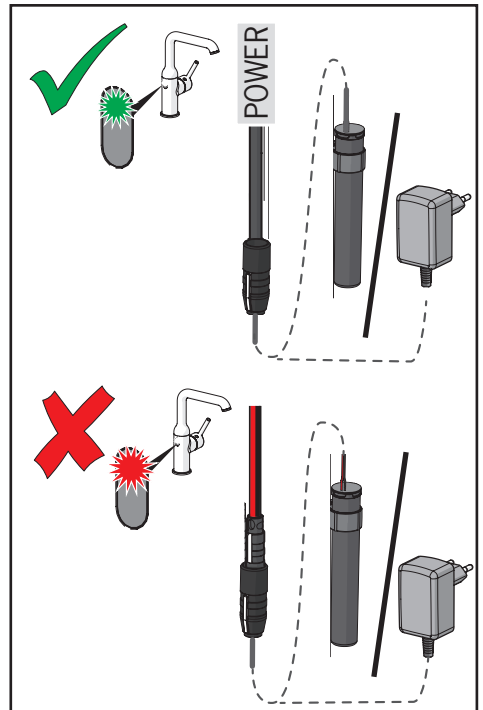
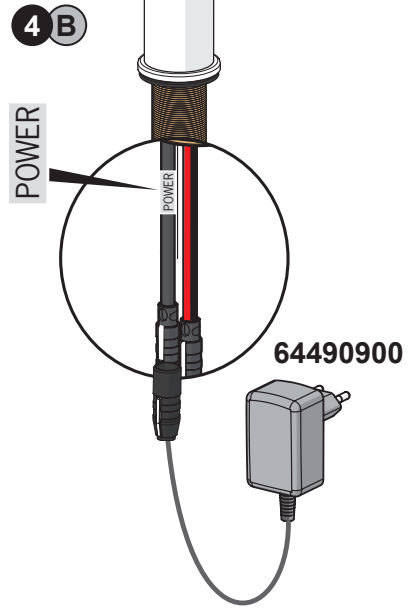


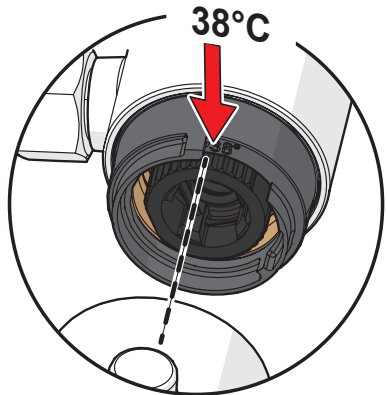
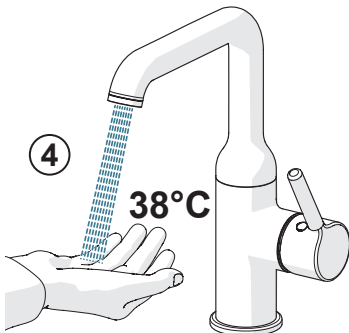
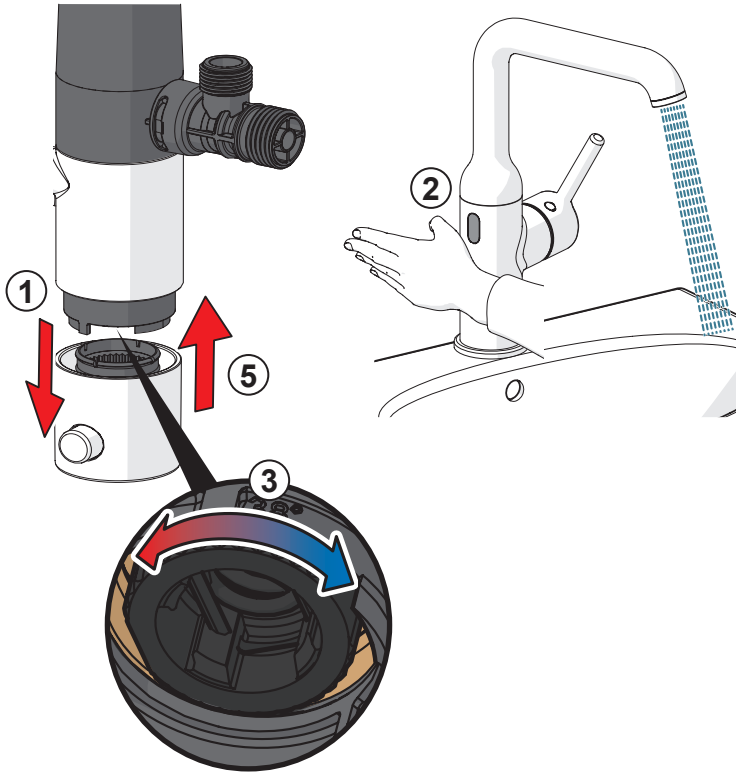


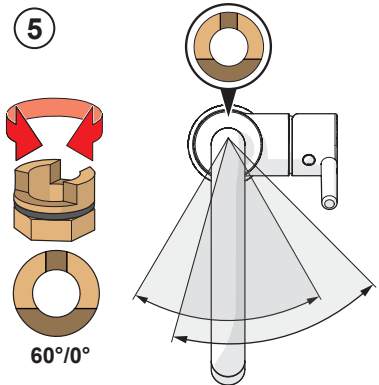
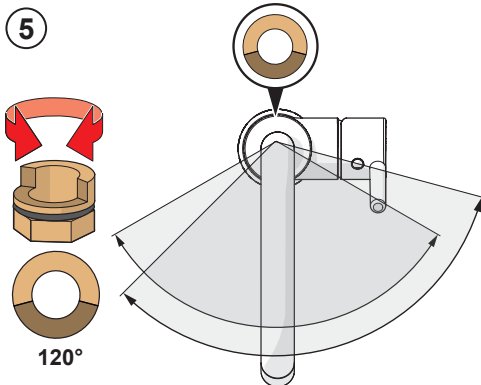
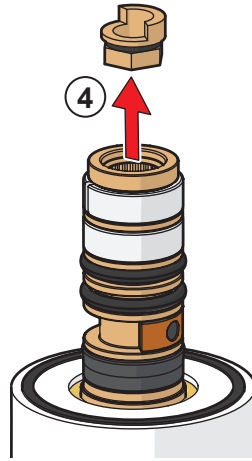
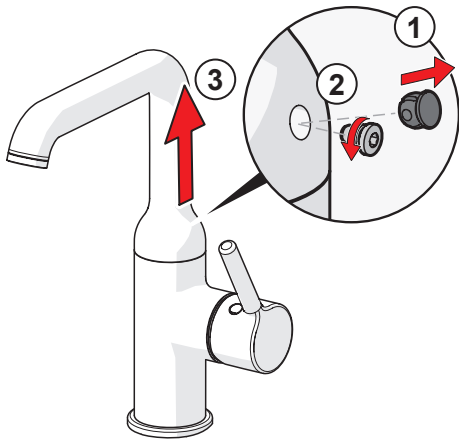
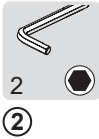
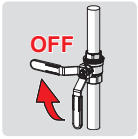
4 A

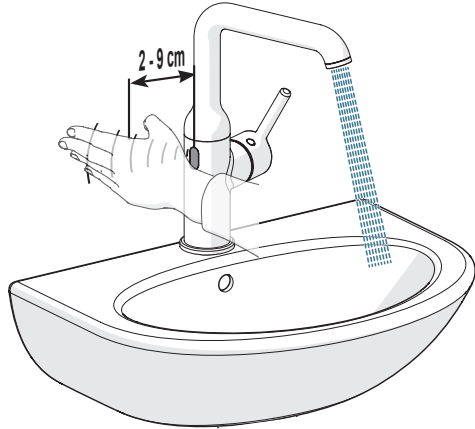
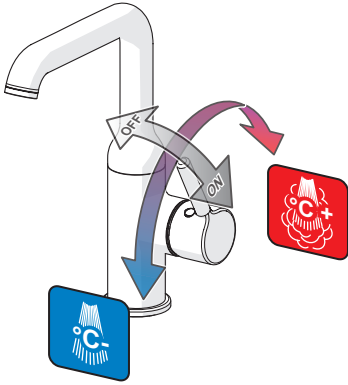


4 B

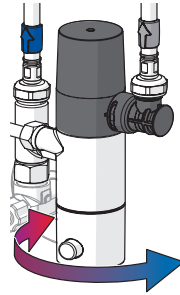






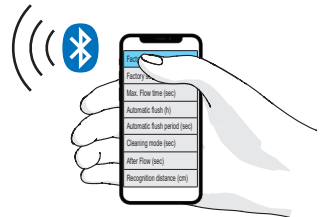
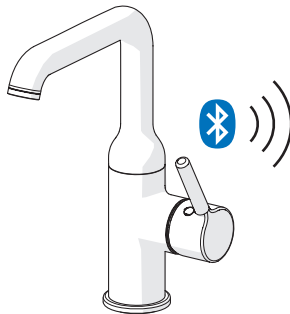


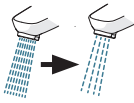
ON 10 s



HANSA Connect App
 Download on the
App Store
 GET IT ON
Google Play

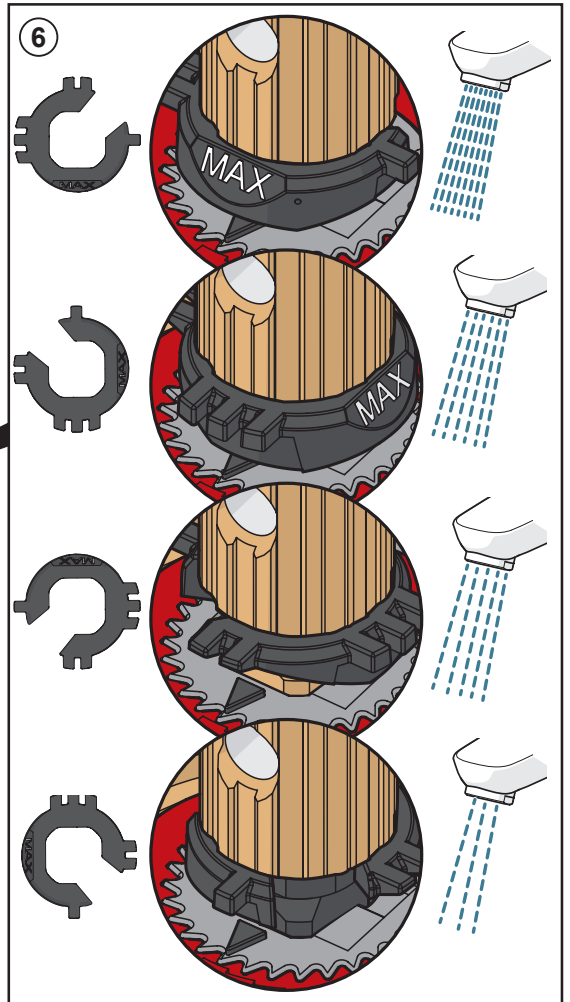
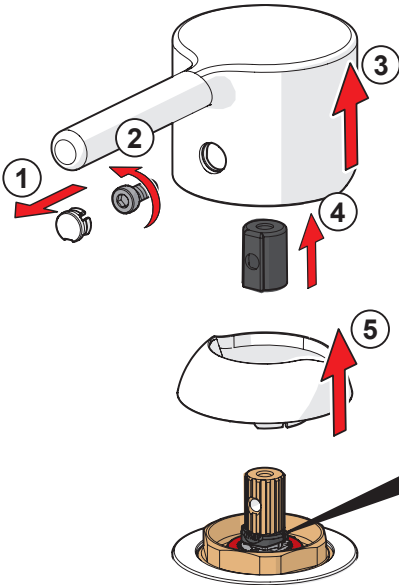
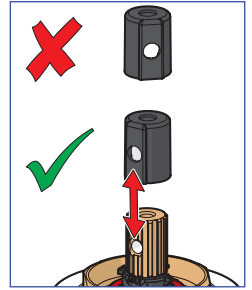
hansa.com/hansa-app

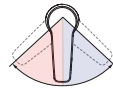




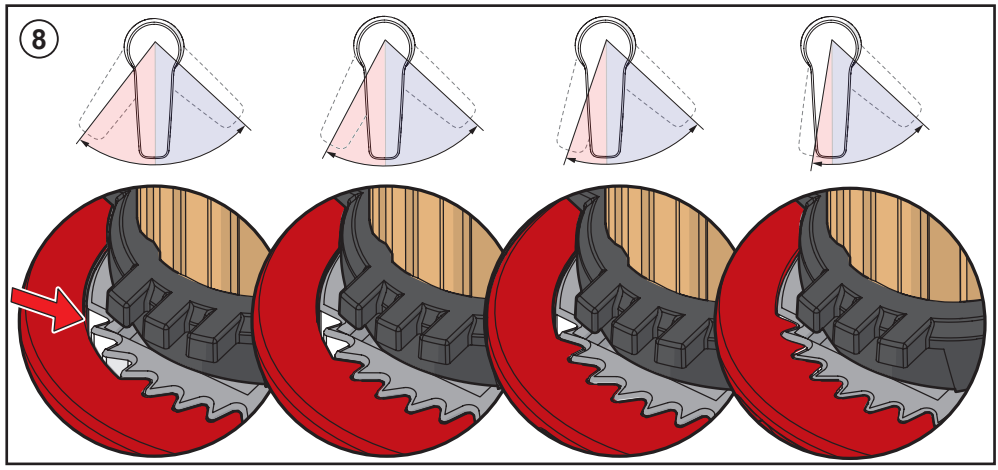
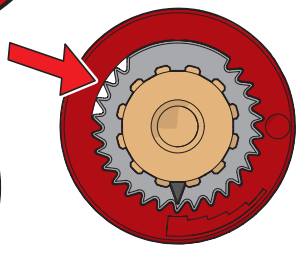
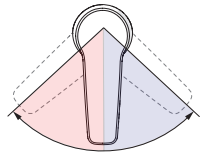
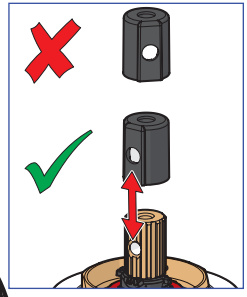
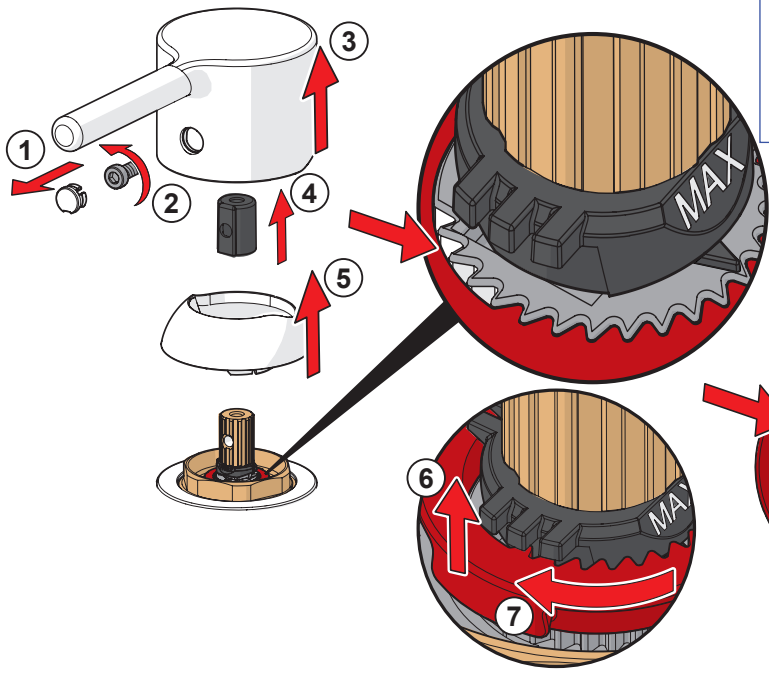
2.5

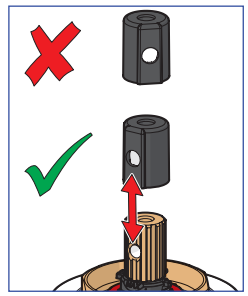
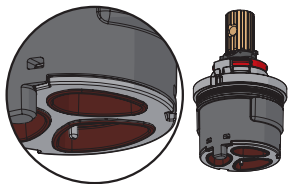
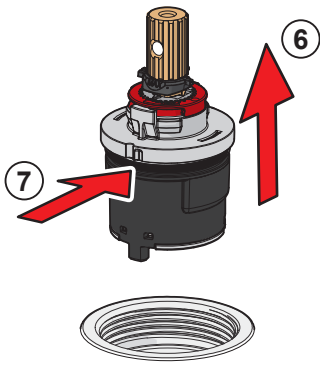
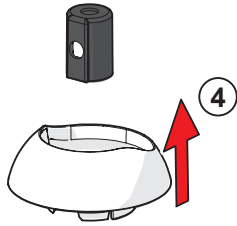
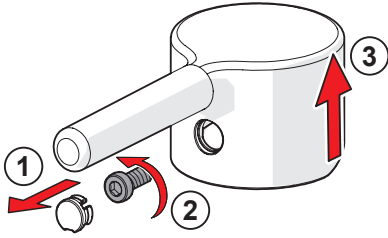
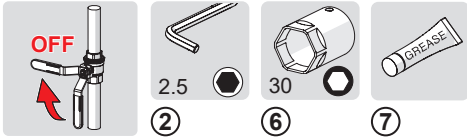
②

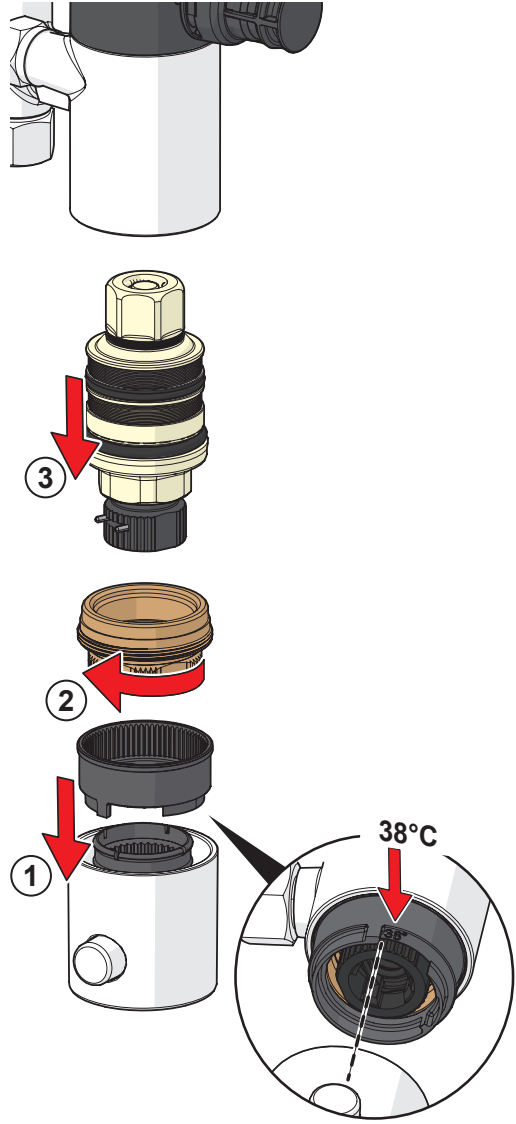
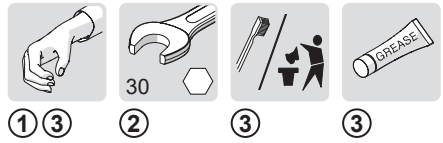
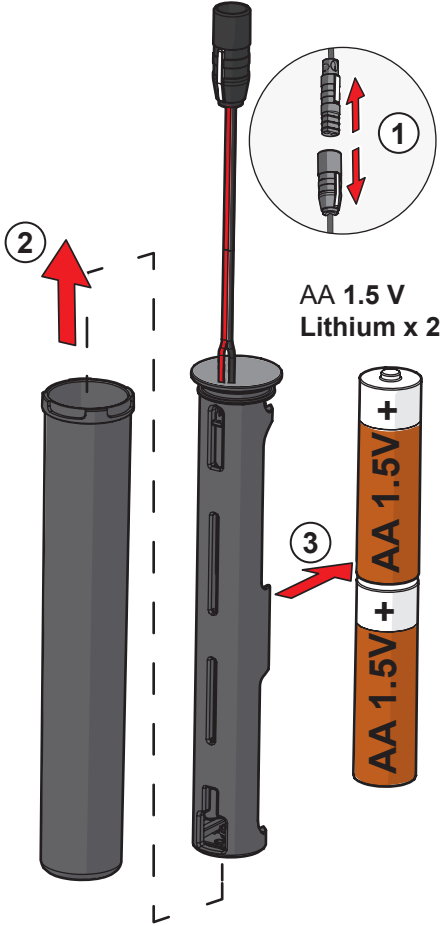


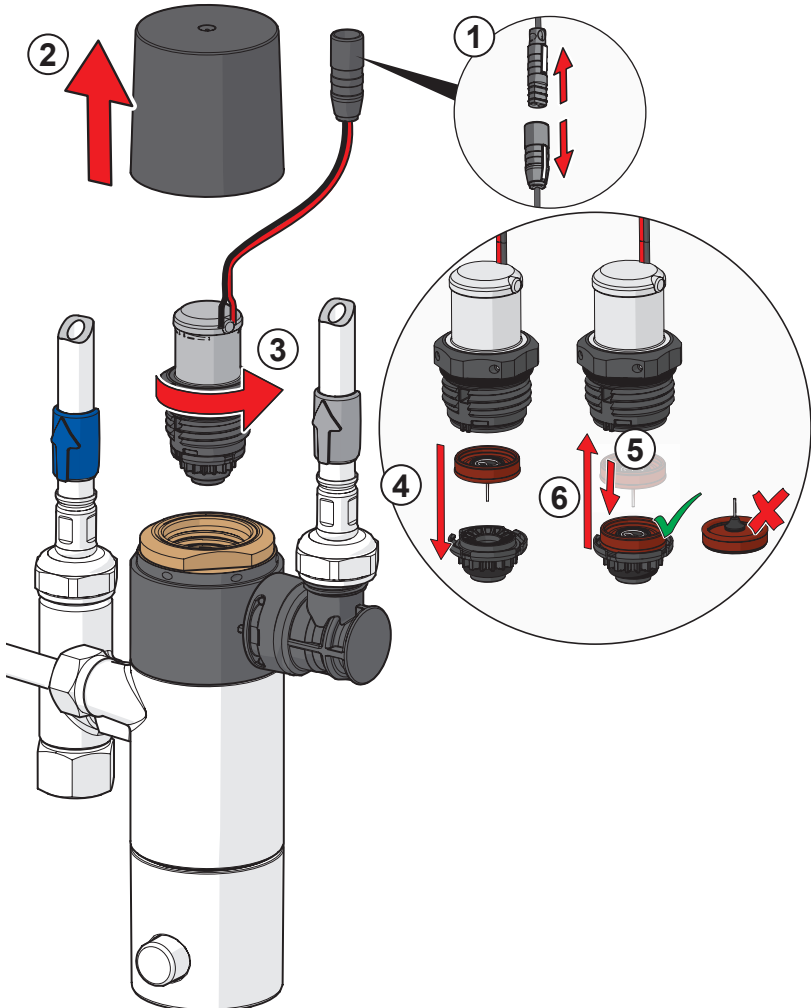
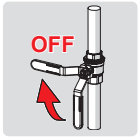


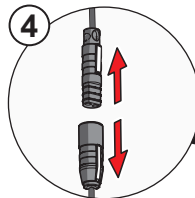
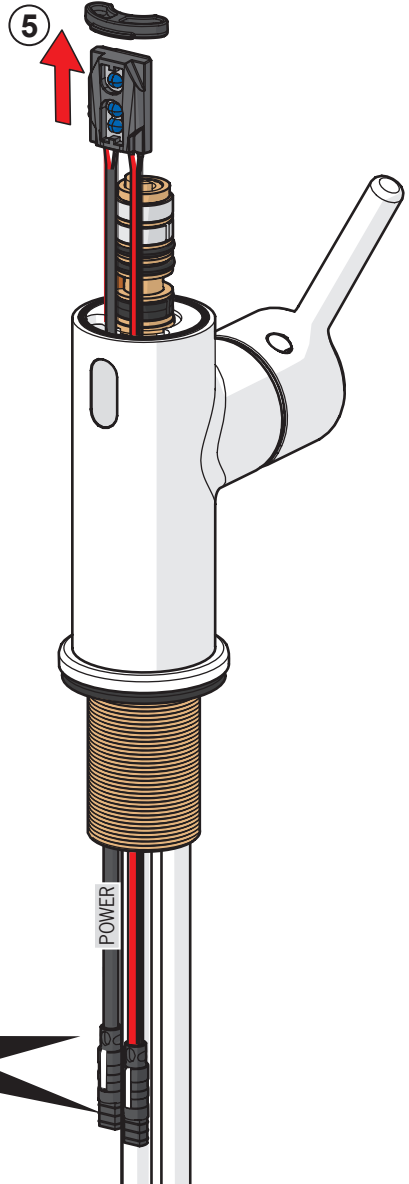
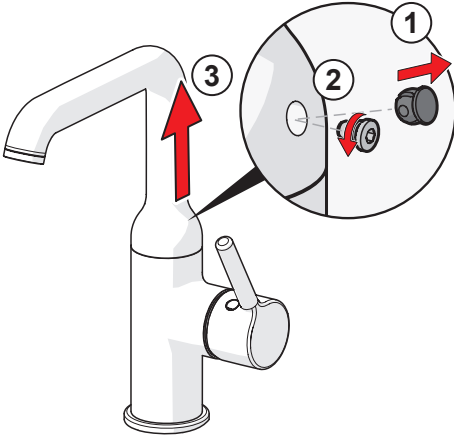
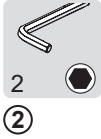
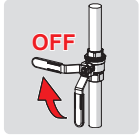
②









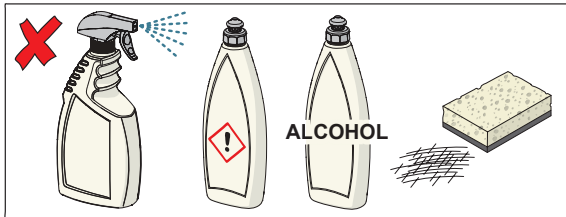
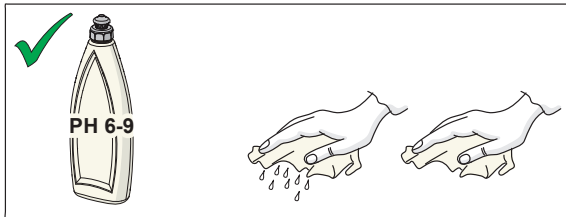




①



②



cleaning.hansa.com

About Oras Group

Oras Group is a significant European provider of sanitary fittings: the market leader in the Nordics and a leading company in Continental Europe.

The company's mission is to create the smartest water experiences for everyone and its vision is to become the Perfect Flow Company.

The Group has two strong brands, Oras and Hansa. Oras Group is owned by Oras Invest, a family company, and an industrial owner.

The domicile of Oras Ltd, the parent company of the Group, is located in Rauma, Finland, and the Group has three manufacturing sites: Kralovice (Czech Republic), Olesno (Poland) and Rauma (Finland).

The Group operates with its own staff in 17 markets. Oras Group's net sales were 233.5 million euros in 2021 and at the end of the period the company employed 1255 people.

HANSA Armaturen GmbH
P. O. BOX 81 02 40
D-70519 Stuttgart
Sigmaringer Strasse 107
D-70567 Stuttgart
Tel.: +49 711 16 14 0
Fax: +49 711 16 14 368
info@hansa.de
www.hansa.com

